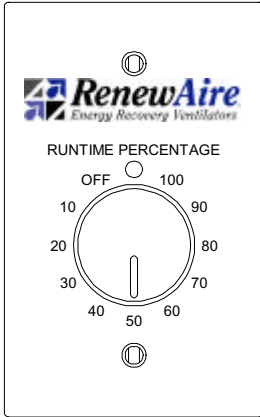


PERCENT TIMER WITH FURNACE INTERLOCK

For use with EV130, EV200, EV300



PURPOSE

The FM24 makes your Energy-Recovery Ventilator (ERV) and your Furnace Blower operate at least once every hour, ensuring proper ventilation for your home around-the-clock. When the green light is on, the control is telling your EV130, EV200 or EV300 ERV to bring in fresh outside air – and is also telling your furnace or air-conditioner to circulate air throughout your home. Set the dial in any position other than “Off” and your ventilator will run once every hour. How long it runs depends on the percentage setting.

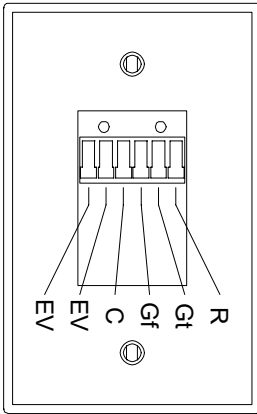
FOR CONSTANT OPERATION: Set the dial at “100%”.

FOR REGULAR OPERATION: Set the dial at the percentage that is right for your home. See the “Percent Run Time Table” for guidance. You may wish to adjust this percentage to your specific needs. For example, decrease the ventilation percentage when the home will be unoccupied for many days, or increase the ventilation percentage during a party.

FOR NO REGULAR OPERATION: Set the dial at “Off”.

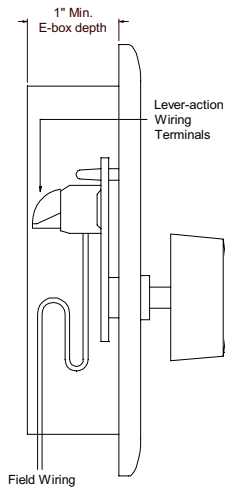
NOTE for ERV systems with more than one control:

Another control may be causing your ERV to run – even if the light on this control is off.



IF:	AND:	THEN:
Indicator Light is OFF	You turn FM24 UP	Indicator lights up. ERV turns on, starting new cycle. Furnace blower runs.
Indicator Light is OFF	You turn FM24 DOWN	Indicator light flashes twice, then stays off. ERV stays off, new cycle starts.
Indicator Light is ON	You turn FM24 UP	Indicator light flashes twice, then stays on. ERV continues to run; a new one-hour cycle starts. Furnace blower continues to run.
Indicator Light is ON	You turn FM24 DOWN	Indicator light flashes twice, then turns off. ERV turns off, new cycle starts.

NOTE: Furnace blower will also run whenever your thermostat tells it to!



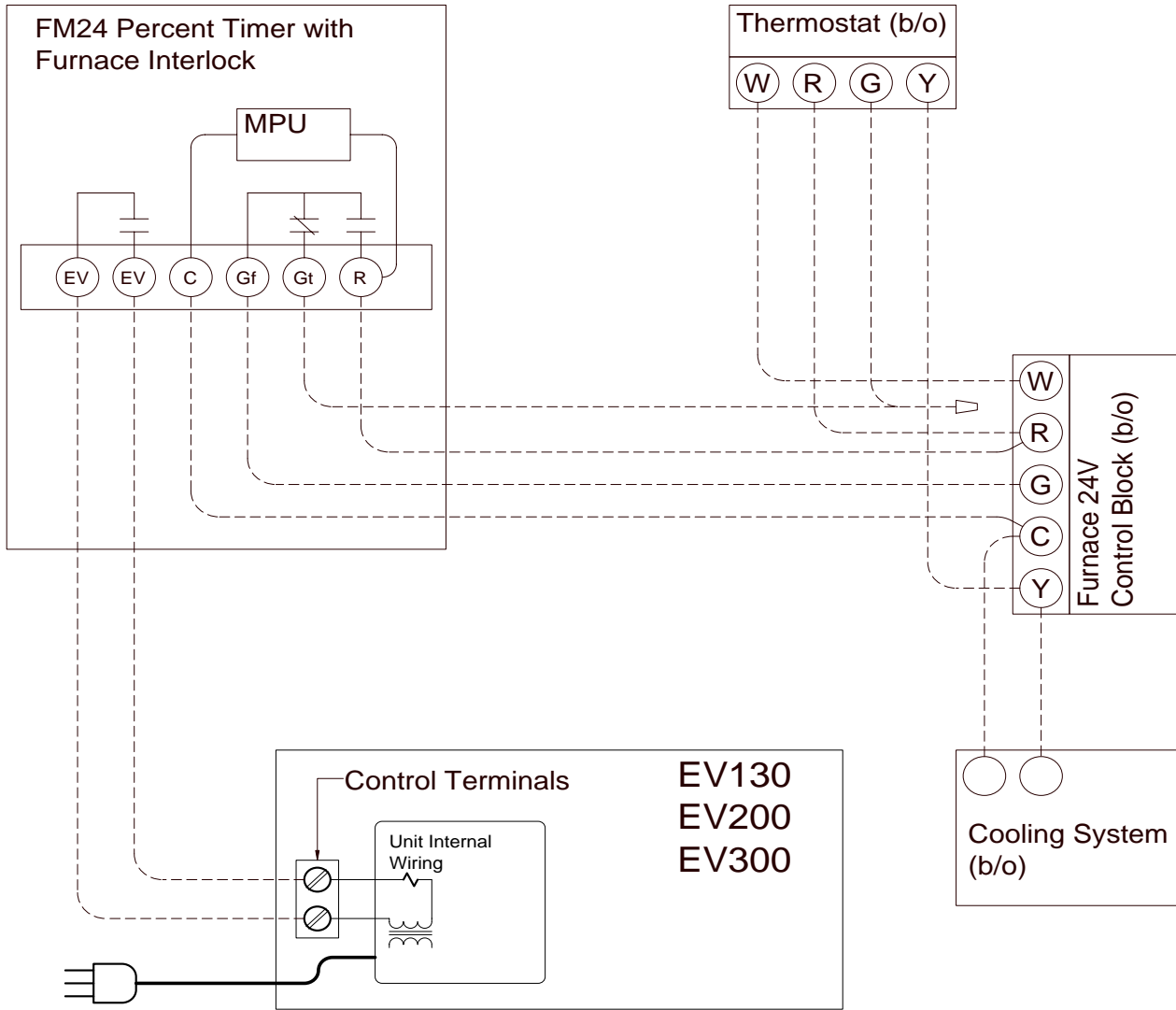
Percentage Setting to Achieve 0.35 Air Changes per Hour

As recommended by the American Society of Heating, Refrigerating and Air-Conditioning Engineers

House Area (square feet)	House Volume* (cubic feet)	PERCENTAGE SETTINGS		
		For EV130 (@ 128 CFM)	For EV200 (@ 198 CFM)	For EV300 (@300 CFM)
750	6000	27%	18%	12%
1250	10000	46%	29%	20%
1750	14000	64%	41%	28%
2250	18000	82%	53%	35%
2750	22000	100%	65%	43%
3250	26000		77%	51%
3750	30000		88%	59%
4250	34000		100%	67%
5125	41000			80%
5750	46000			90%
6500	48000			100%

* Based on 8' ceiling height. If ceiling is other than 8', recalculate house volume based on ceiling height.

OPTION 1: Wire FM24 to Furnace and to Energy-Recovery Ventilator



Factory Wiring _____
Field Wiring -----

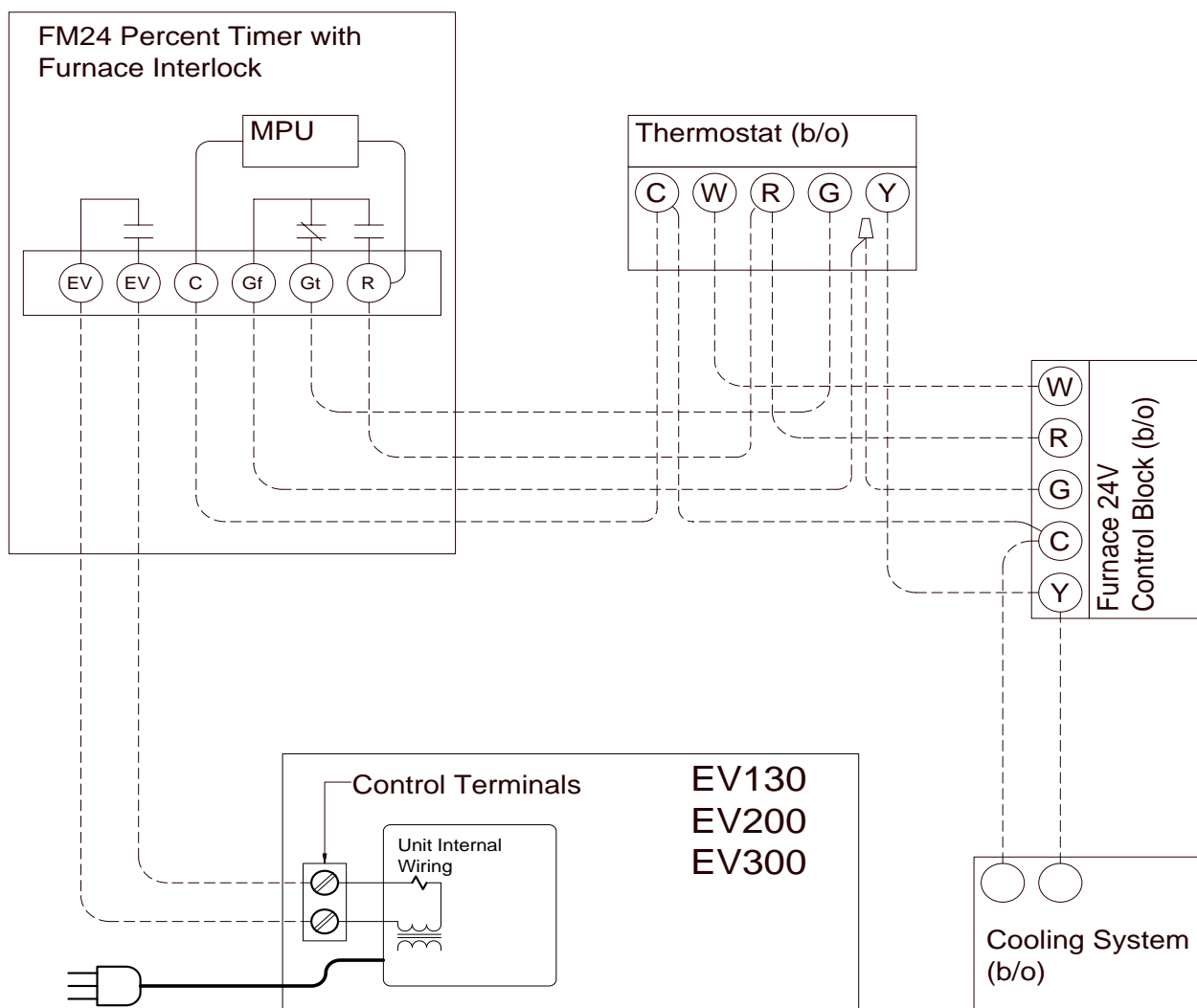
PURPOSE OF FURNACE INTERLOCK IN FM24:

In most Furnace/Thermostat systems, if a circuit is made between R & G on the furnace, in an attempt to make the furnace blower operate, the Y contacts are also energized, because the thermostat has an internal connection between its G & Y terminals. This will cause the airconditioning unit to operate as well. The Furnace Interlock in the FM24 takes the thermostat's G terminal out of the circuit whenever there is a call for the Energy Recovery Ventilator to operate.

FM24 fits in standard 2" x 4" electrical box, at least 1" deep.

WIRE GAUGE: FM24 accepts 18-22GA Wire.

OPTION 2: Wire FM24 to Thermostat and to Energy-Recovery Ventilator



Factory Wiring _____
Field Wiring - - - - -

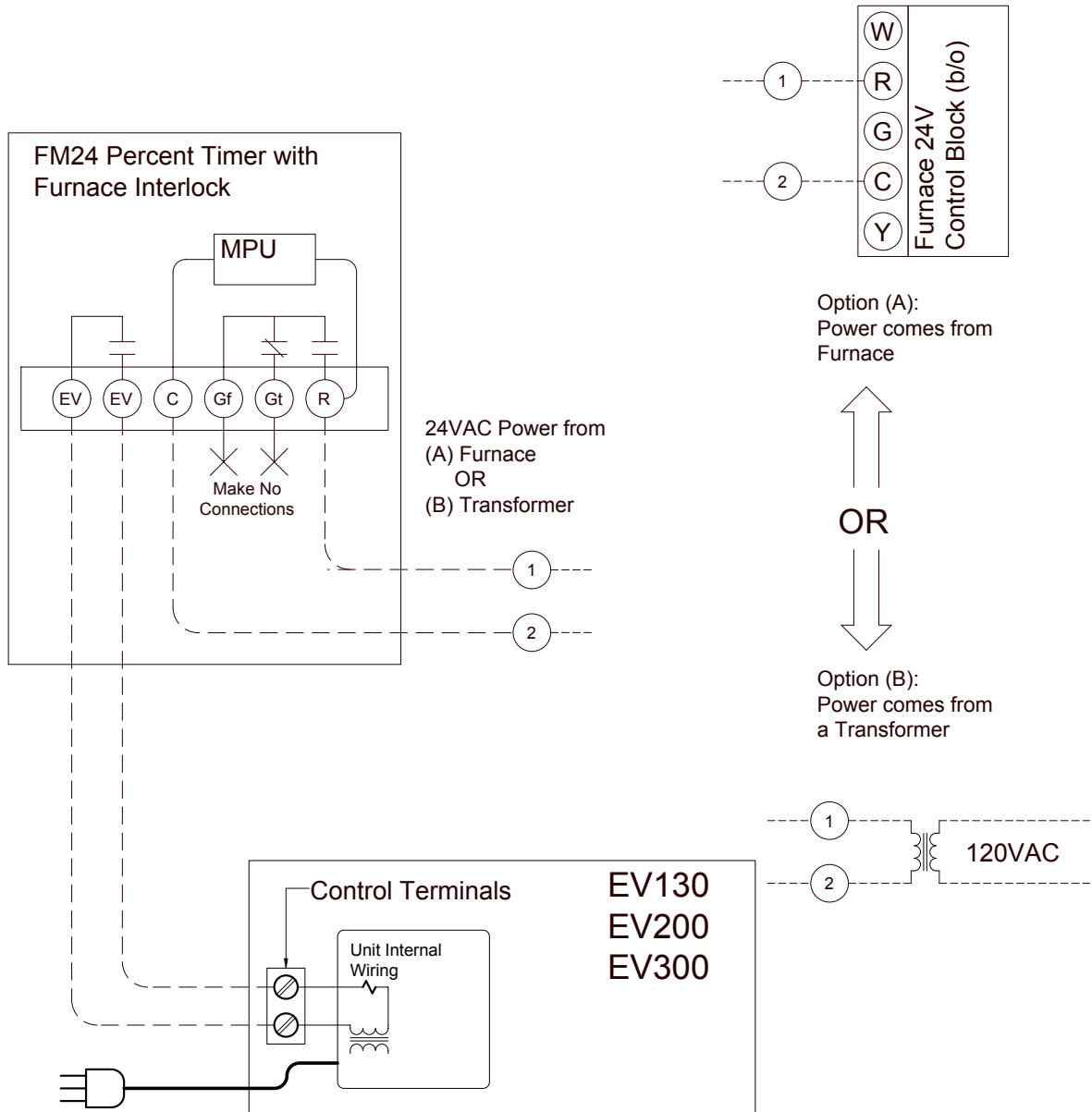
PURPOSE OF FURNACE INTERLOCK IN FM24:

In most Furnace/Thermostat systems, if a circuit is made between R & G on the furnace, in an attempt to make the furnace blower operate, the Y contacts are also energized, because the thermostat has an internal connection between its G & Y terminals. This will cause the airconditioning unit to operate as well. The Furnace Interlock in the FM24 takes the thermostat's G terminal out of the circuit whenever there is a call for the Energy Recovery Ventilator to operate.

FM24 fits in standard 2" x 4" electrical box, at least 1" deep.

WIRE GAUGE: FM24 accepts 18-22GA Wire.

OPTION 3: Wire FM24 to control the Energy-Recovery Ventilator ONLY



FM24 requires 24VAC power. This is usually provided by a furnace control. If there is no furnace connection, it is possible to power the FM24 with an external transformer; in this case, make no connections to any appliance other than the EV130, EV200 or EV300.

FM24 fits in standard 2" x 4" electrical box, at least 1" deep.
WIRE GAUGE: FM24 accepts 18-22GA Wire.