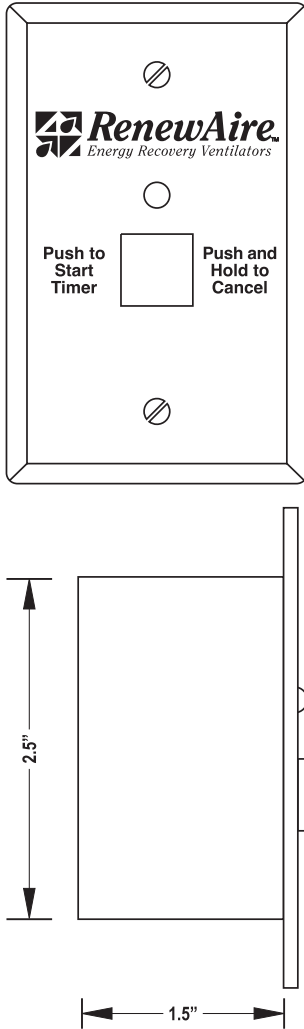


Push Button Point-of-Use Timer Control

For use with EV130/EV200/EV300



Operation

The PB24 lets you turn on your EV130, EV200 or EV300 energy recovery ventilator for a short period of operation - for example, when you are using a bathroom.

Press the button and your ventilator will run for one cycle. Cycle length is set during control installation at 15, 30, 45 or 60 minutes (see **Installation**, below.)

When the light on the PB24 is on, the control is calling on your ventilator to run.

When there is one minute of run time remaining, the light will blink slowly.

You can cancel a cycle anytime the light is on. Just hold the push button in until the light goes out - about five seconds. (The light may flash before going out.)

After the light goes out, you can start another cycle by pressing the button.

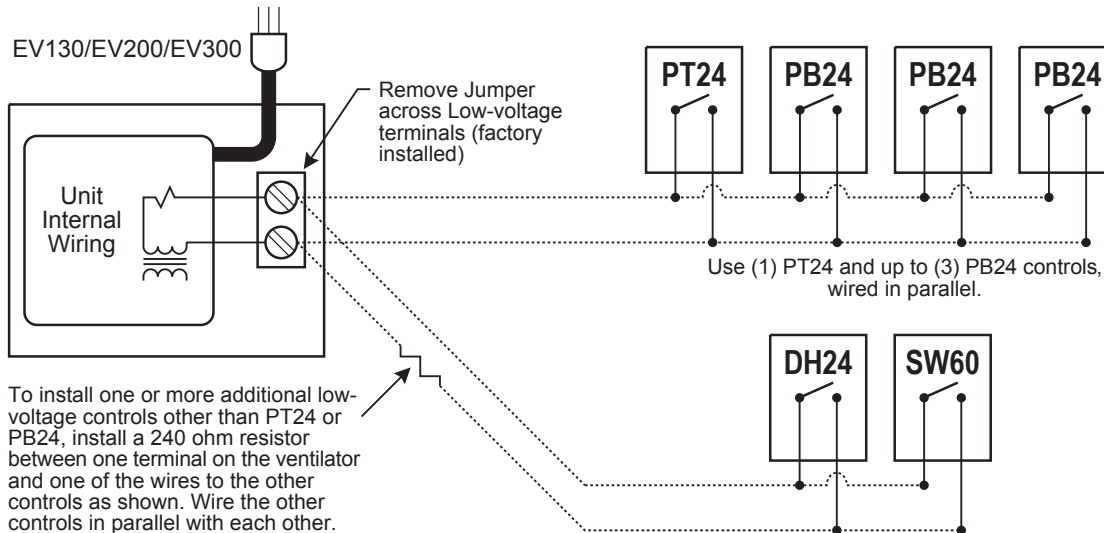
Double Cycle Feature: you can call for a cycle that is twice as long as usual. With the light on, press and hold the button until the light flashes rapidly.

NOTE: For systems with more than one control: Another control may be causing your ventilator to run - even if the light on this control is off. If you wish to keep your ventilator from running, check that none of your controls are calling for unit operation.

Installation

1. Preselecting the Cycle Length:
Before connecting the control, position the two jumpers on the back of the control to set the Cycle Length. If you wish to change the jumper positions after installation, unplug the ventilator to remove power from the system.
2. Install control in a standard 2" x 4" electrical box, with a minimum depth of 1.5".
3. Minimum Wire Size: 22 gauge, no more than 500 feet. Wiring is non-polar.

Wiring Diagram



To install one or more additional low-voltage controls other than PT24 or PB24, install a 240 ohm resistor between one terminal on the ventilator and one of the wires to the other controls as shown. Wire the other controls in parallel with each other.

Jumper Position Chart

