

# Percentage Timer Control

## For use with EV130/EV200/EV300

### Operation

The PT24 automatically turns on your EV130, EV200 or EV300 energy recovery ventilator every hour, ensuring proper ventilation for your home around-the-clock. When the green light is on, the control is telling your energy recovery ventilator to operate. Set the dial in any position other than "Off" and your ventilator will run once every hour. How long it runs depends on the percentage setting.

**FOR CONSTANT OPERATION:** Set the dial at "100%." The light turns on in a few moments.

**FOR REGULAR OPERATION:** Set the dial at the percentage that is right for your home. See the "Percent Run Time Table" for guidance. You may wish to adjust this percentage to your specific needs. For example, if you have excess humidity in the winter, increase the ventilation percentage. You may also want to decrease the ventilation percentage when the home will be unoccupied for many days, or increase the ventilation percentage during a party.

**FOR NO REGULAR OPERATION:** Set the dial at "Off."

**NOTE for systems with more than one control:**

Another control may be causing your ventilator to run - even if the light on this control is off. If you wish to keep your ventilator from running, check that none of your controls are calling for unit operation.

### Installation

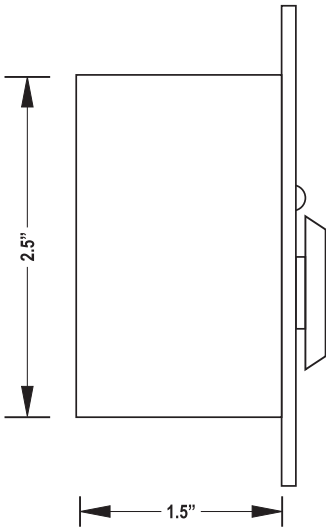
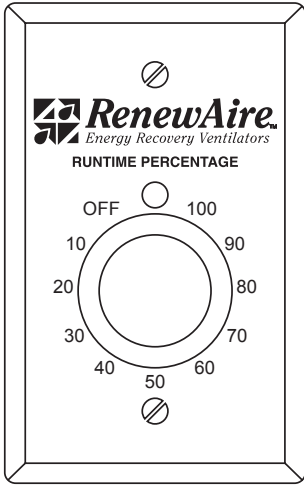
1. Install control in a standard 2" x 4" electrical box, with a minimum depth of 1.5"
2. Minimum Wire Size: 22 gauge, no more than 500 feet. Wiring is non-polar.

### Percentage Run Time Table (to achieve 0.35 air changes per hour)

As recommended by the American Society of Heating, Refrigeration, and Air Conditioning Engineers

House Living Area (square feet)	House Volume* (cubic feet)	% Setting with EV130 @ 128 CFM	% Setting with EV200 @ 198 CFM	% Setting with EV300 @ 300 CFM
750	6000	27%	18%	12%
1250	10000	46%	29%	20%
1750	14000	64%	41%	28%
2250	18000	82%	53%	35%
2750	22000	100%	65%	43%
3250	26000		77%	51%
3750	30000		88%	59%
4250	34000		100%	67%
5125	41000			80%
5750	46000			90%
6500	48000			100%

\* Based on 8' ceiling height. If ceiling is other than 8', recalculate house volume based on your ceiling height.



### Wiring Diagram

